



stainless
design

Stainless Steel & Glass Balustrades

COMPONENT CATALOGUE



ABOUT US



stainless
design

Stainless Steel & Glass Balustrades

- **Stainless Design manufacture a range of patented components for Stainless Steel and Glass Balustrades as well as Stainless Steel tubing with satin and polished finishes.**
- **Our expertise in automated production allows us to consistently produce high quality products at competitive prices.**
- **We supply Glass and Stainless Steel Balustrade Components that conform to both local and international safety legislation and are able to supply certificates of compliance. Our glazing products are approved by SABS and SAGGA.**
- **We are a proudly South African company and our products are conceptualized, developed and manufactured locally.**
- **Stainless Design is a division of Stainless Accessories, an IAFT 16949 accredited manufacturer and supplier of original equipment automotive components and that processes over 500 tons of Stainless Steel per month for the global market.**
- **Operating out of a 6000 M2 facility, we currently employ 200 people in our automotive, tubing and balustrade departments.**

INDEX



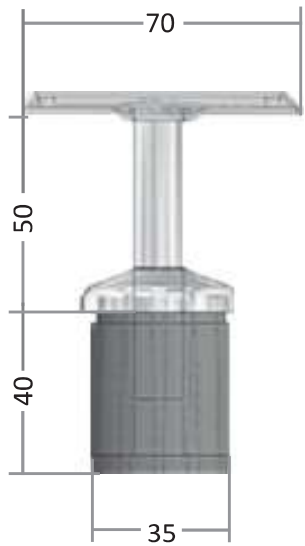
stainless
design

Stainless Steel & Glass Balustrades

Stanchion Handrail Mounts	Page	2-15
Handrail Mounts	Page	16-25
Corner Connectors	Page	26
Base Covers	Page	27
End Caps	Page	28
Glass Pressure Brackets	Page	29-30
Spigots	Page	31-32
Side Mount Stanchion Brackets	Page	33
Glass Stand Offs	Page	34
Channel Mount	Page	35
Horizontal Swivel Stanchions	Page	36
Glass Pressure Bracket Stanchions	Page	37-39
Oval Stanchions	Page	40
Cable & Connectors	Page	41
Cable Stanchions	Page	42-43
Slotted Handrail	Page	44
Tubing	Page	45



STANCHION HANDRAIL MOUNTS

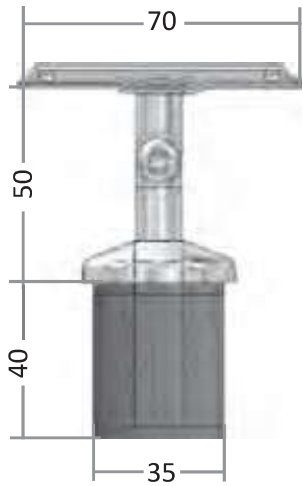


Part #		Stanchion Diameter	Handrail Mounting	Handrail Diameter
304	316			
KI33CCL 4	KI33CCL 6	Ø38.1	Continuous Curved Plate	Ø38.1
KI35CCL 4	KI35CCL 6	Ø38.1	Continuous Curved Plate	Ø50.8





STANCHION HANDRAIL MOUNTS



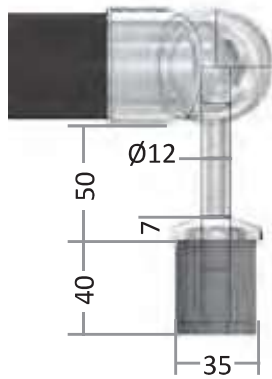
HANDRAIL DIAMETER



Part #		Stanchion Diameter	Handrail Mounting	Handrail Diameter
304	316			
KI33CCR-4	KI33CCR-6	Ø38.1	Continuous Curved Plate	Ø38.1
KI35CCR-4	KI35CCR-6	Ø38.1	Continuous Curved Plate	Ø50.8



STANCHION HANDRAIL MOUNTS



HANDRAIL DIAMETER



Part #		Stanchion Diameter	Handrail Mounting	Handrail Diameter
304	316			
KI33CBJ-4	KI33CBJ-6	$\text{Ø}38.1$	Corner Handrail Mount	$\text{Ø}38.1$
KI35CBJ-4	KI35CBJ-6	$\text{Ø}38.1$	Corner Handrail Mount	$\text{Ø}50.8$



STANCHION HANDRAIL MOUNTS



HANDRAIL DIAMETER



Part #		Stanchion Diameter	Handrail Mounting	Handrail Diameter
304	316			
KI33L-4	KI33L-6	Ø38.1	Modular	Ø38.1
KI35L-4	KI35L-6	Ø38.1	Modular	Ø50.8



STANCHION HANDRAIL MOUNTS



HANDRAIL DIAMETER



Part #		Stanchion Diameter	Handrail Mounting	Handrail Diameter
304	316			
KI33R-4	KI33R-6	Ø38.1	Modular	Ø38.1
KI35R-4	KI35R-6	Ø38.1	Modular	Ø50.8



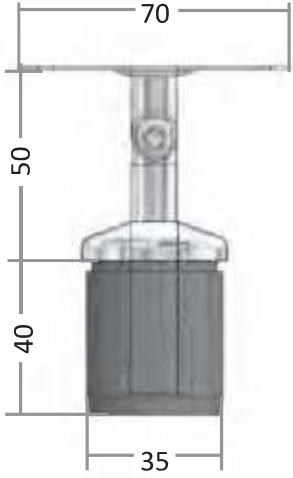
STANCHION HANDRAIL MOUNTS



Part #		Stanchion Diameter	Handrail Mounting	Handrail Diameter
304	316			
K13CFL-4	K13CFL-6	Ø38.1	Continuous Flat Plate	Flat



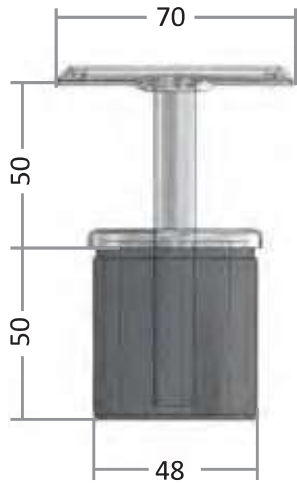
STANCHION HANDRAIL MOUNTS



Part #		Stanchion Diameter	Handrail Mounting	Handrail Diameter
304	316			
KI3CFR-4	KI3CFR-6	Ø38.1	Continuous Flat Plate	Flat



STANCHION HANDRAIL MOUNTS



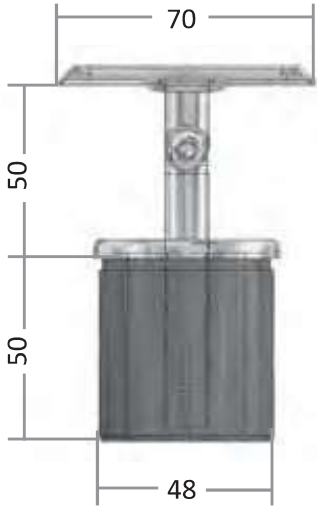
HANDRAIL DIAMETER



Part #		Stanchion Diameter	Handrail Mounting	Handrail Diameter
304	316			
KI55CCL-4	KI55CCL-6	Ø50.8	Continuous Curved Plate	Ø50.8



STANCHION HANDRAIL MOUNTS



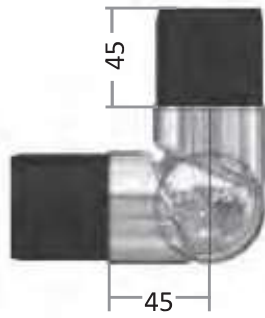
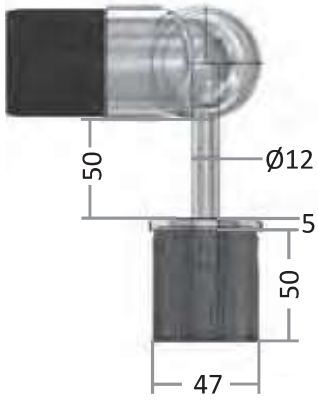
HANDRAIL DIAMETER



Part #		Stanchion Diameter	Handrail Mounting	Handrail Diameter
304	316			
KI55CCR-4	KI55CCR-6	Ø50.8	Continuous Curved Plate	Ø50.8



STANCHION HANDRAIL MOUNTS



HANDRAIL DIAMETER



Part #		Stanchion Diameter	Handrail Mounting	Handrail Diameter
304	316			
KI55CBJ-4	KI55CBJ-6	Ø50.8	Knock In Corner Ball Joint	Ø50.8



STANCHION HANDRAIL MOUNTS



HANDRAIL DIAMETER



Part #		Stanchion Diameter	Handrail Mounting	Handrail Diameter
304	316			
KI55L-4	KI55L-6	Ø50.8	Modular	Ø50.8



STANCHION HANDRAIL MOUNTS



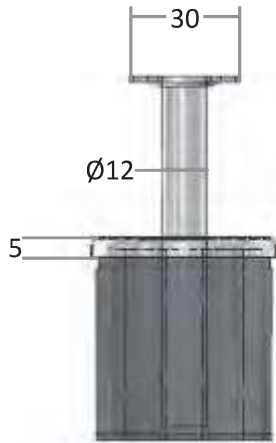
HANDRAIL DIAMETER



Part #		Stanchion Diameter	Handrail Mounting	Handrail Diameter
304	316			
KI55R-4	KI55R-6	Ø50.8	Modular	Ø50.8



STANCHION HANDRAIL MOUNTS

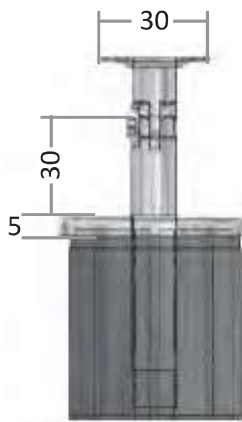
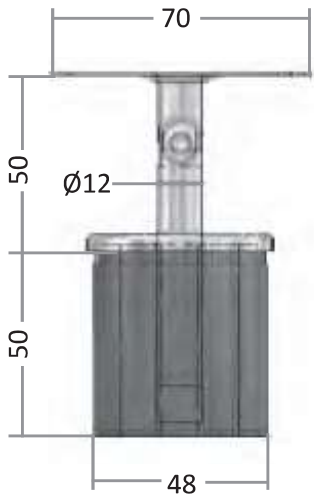


Part #		Stanchion Diameter	Handrail Mounting	Handrail Diameter
304	316			
KI5CFL-4	KI5CFL-6	Ø50.8	Continuous Flat Plate	Flat





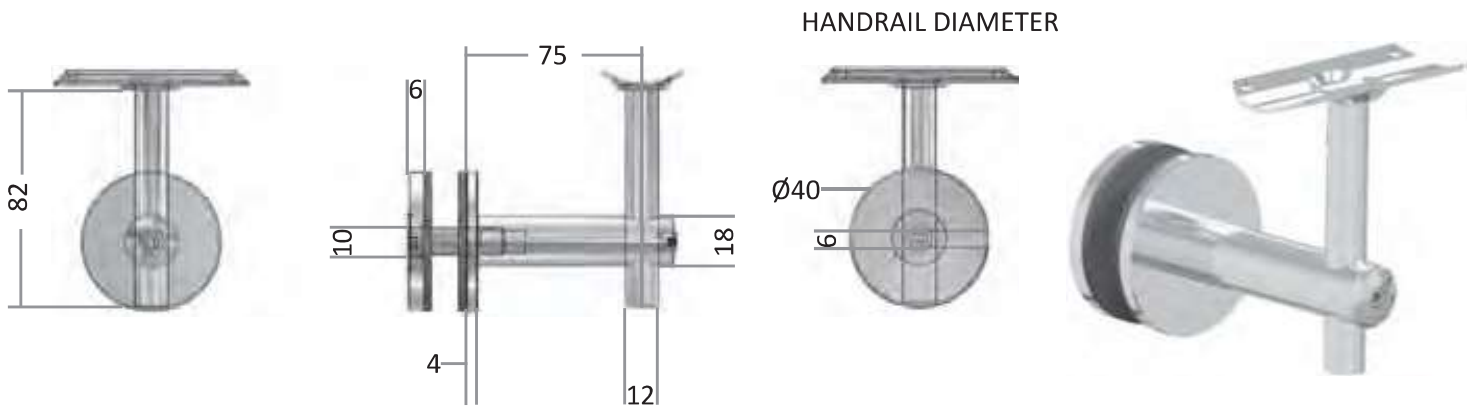
STANCHION HANDRAIL MOUNTS



Part #		Stanchion Diameter	Handrail Mounting	Handrail Diameter
304	316			
KI5CFR-4	KI5CFR-6	Ø50.8	Continuous Flat Plate	Flat



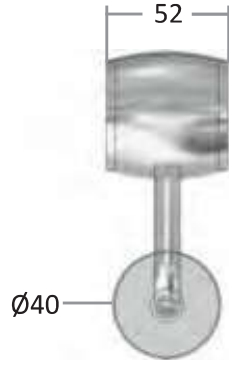
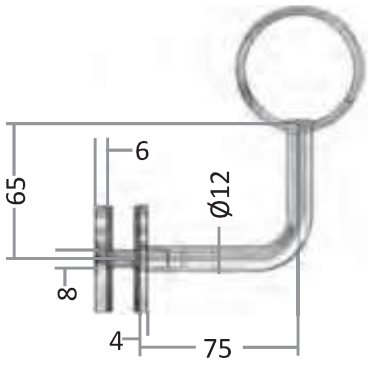
HANDRAIL MOUNTS



Part #		Description	Handrail Mounting	Handrail Diameter
304	316			
HBGACC3-4	HBGACC3-6	Handrail Bracket Glass Mount Adjustable	Continuous Curved Plate	Ø38.1
HBGACC5-4	HBGACC5-6	Handrail Bracket Glass Mount Adjustable	Continuous Curved Plate	Ø50.8



HANDRAIL MOUNTS



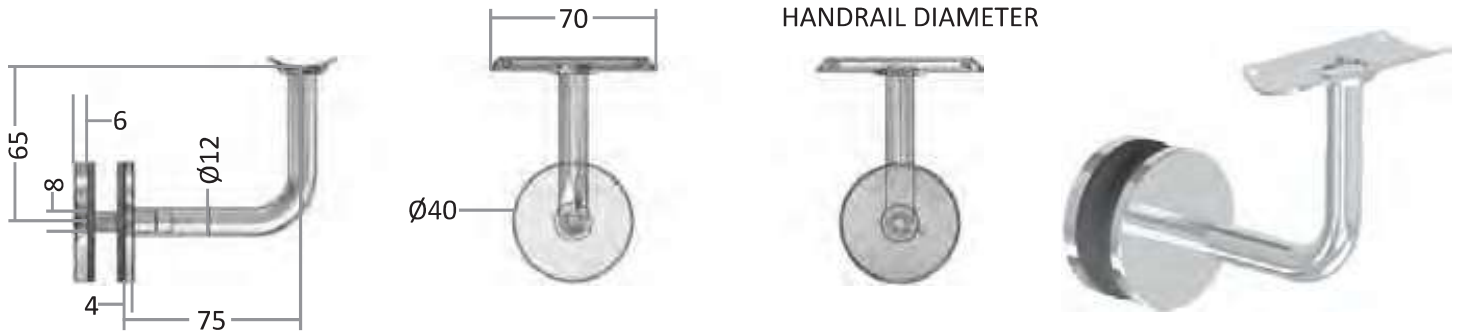
HANDRAIL DIAMETER



Part #		Description	Handrail Mounting	Handrail Diameter
304	316			
HBG3-4	HBG3-6	Glass Mount Fixed	Modular	Ø38.1
HBG5-4	HBG5-6	Glass Mount Fixed	Modular	Ø50.8



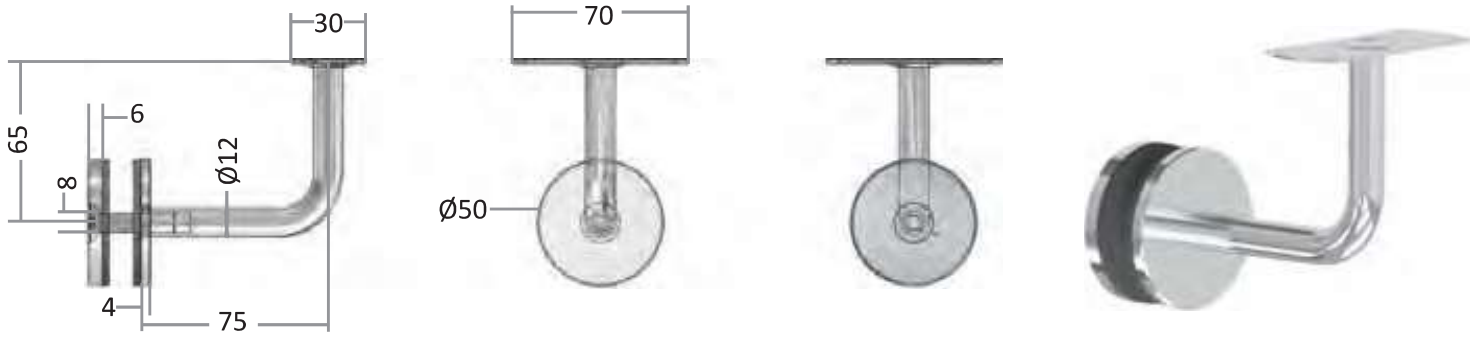
HANDRAIL MOUNTS



Part #		Description	Handrail Mounting	Handrail Diameter
304	316			
HBGCC3-4	HBGCC3-6	Glass Mount Fixed	Continuous Curved Plate	Ø38.1
HBGCC5-4	HBGCC5-6	Glass Mount Fixed	Continuous Curved Plate	Ø50.8



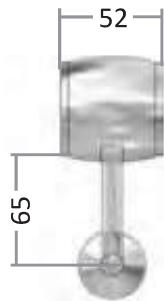
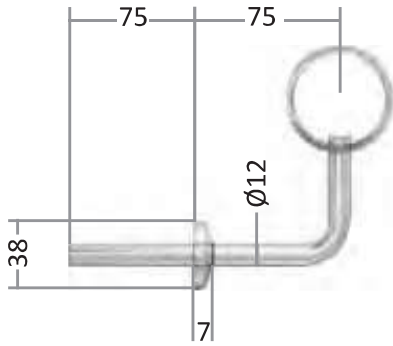
HANDRAIL MOUNTS



Part #		Description	Handrail Mounting	Handrail Diameter
304	316			
HBGCF-4	HBGCF-6	Glass Mount Fixed	Continuous Flat Plate	Flat



HANDRAIL MOUNTS



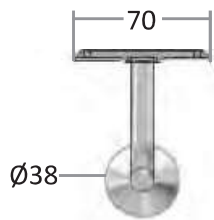
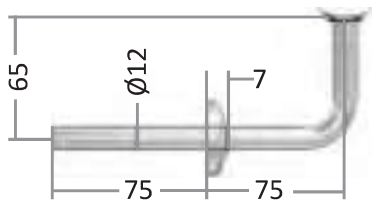
HANDRAIL DIAMETER



Part #		Description	Handrail Mounting	Handrail Diameter
304	316			
HBW3-4C	HBW3-6C	Core Mount	Modular	Ø38.1
HBW5-4C	HBW5-6C	Core Mount	Modular	Ø50.8



HANDRAIL MOUNTS



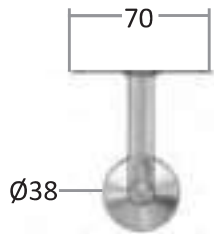
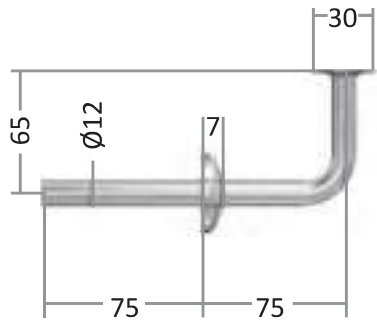
HANDRAIL DIAMETER



Part #		Description	Handrail Mounting	Handrail Diameter
304	316			
HBWCC3-4C	HBWCC3-6C	Core Mount	Continuous Curved Plate	Ø38.1
HBWCC5-4C	HBWCC5-6C	Core Mount	Continuous Curved Plate	Ø50.8



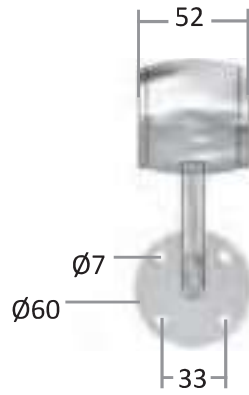
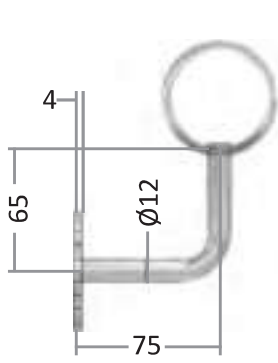
HANDRAIL MOUNTS



Part #		Description	Handrail Mounting	Handrail Diameter
304	316			
HBWCF-4C	HBWCF-6C	Core Mount	Continuous Flat Plate	Flat



HANDRAIL MOUNTS



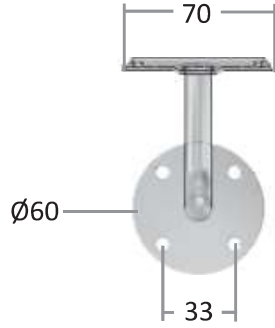
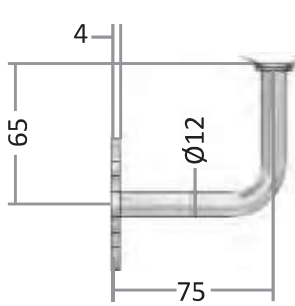
HANDRAIL DIAMETER



Part #		Description	Handrail Mounting	Handrail Diameter
304	316			
HBW3-4F	HBW3-6F	Flange Mount	Modular	Ø38.1
HBW5-4F	HBW5-6F	Flange Mount	Modular	Ø50.8



HANDRAIL MOUNTS



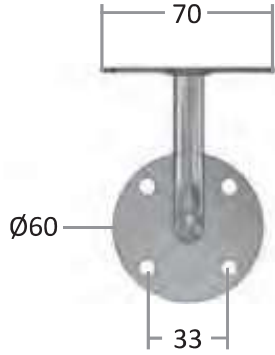
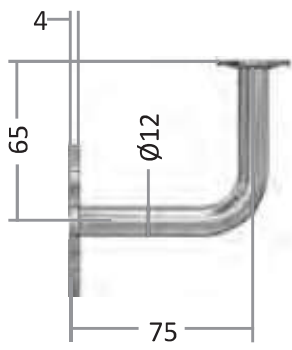
HANDRAIL DIAMETER



Part #		Description	Handrail Mounting	Handrail Diameter
304	316			
HBWCC3-4F	HBWCC3-6F	Flange Mount	Continuous Curved Plate	Ø38.1
HBWCC5-4F	HBWCC5-6F	Flange Mount	Continuous Curved Plate	Ø50.8



HANDRAIL MOUNTS



Part #		Description	Handrail Mounting	Handrail Type
304	316			
HBWCC5-4F	HBWCC5-6F	Flange Mount	Continuous Flat Plate	Flat



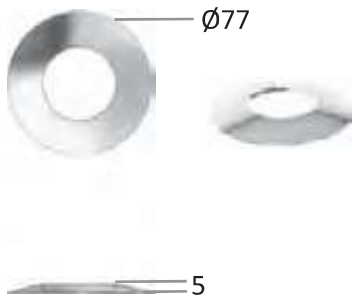
CORNER CONNECTORS



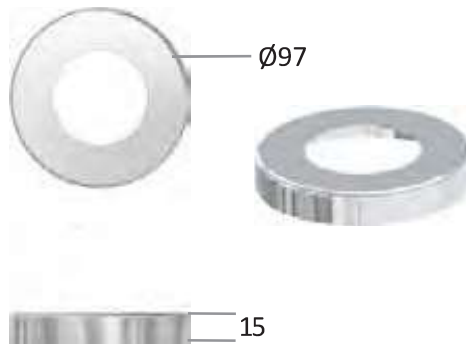
Part #		Description	Angle Adjustment	Tube Diameter
304	316			
CFTC-12-4	CFTC-12-6	Corner Filler Tube Connector	0 - 90°	Ø12.7
CBJ3-4	CBJ3-6	Corner Ball Joint 38.1	0 - 90°	Ø38.1
CBJ5-4	CBJ5-6	Corner Ball Joint 50.8	0 - 90°	Ø50.8



BASE COVERS



SMALL DOME



FLANGED

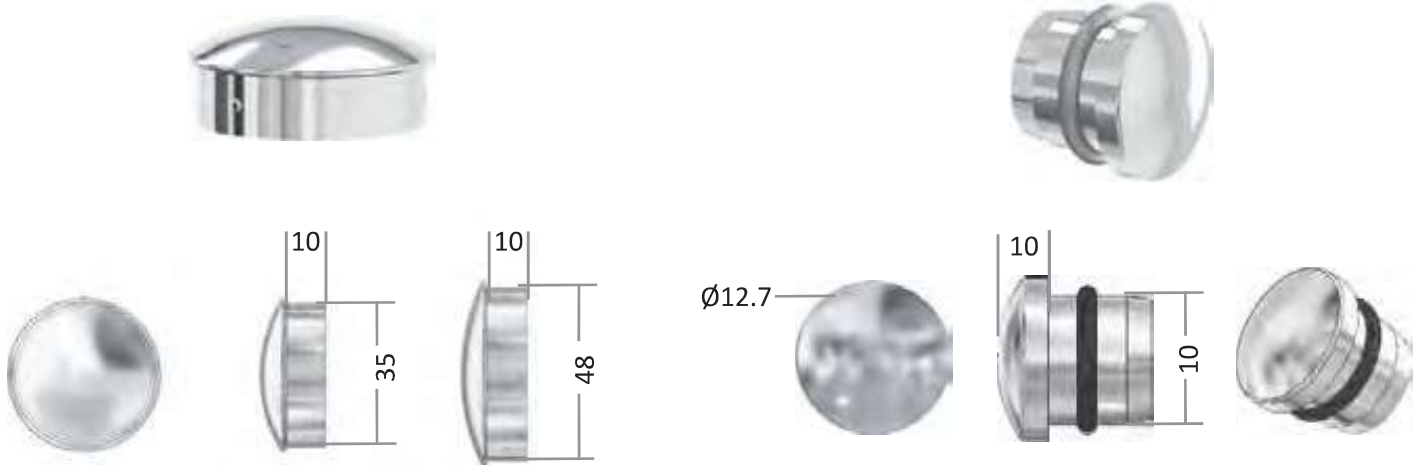


LARGE DOME

Part #		Mounting Type	Inner Diameter	Outer Diameter
304	316			
BC3D-4	BC3D-6	Core Fixed	Ø38.1	Ø77
BC3DM-4	BC3DM-6	Core Fixed	Ø38.1	Ø97
BC3SQ-4	BC3SQ-6	Flange Fixed	Ø38.1	Ø97
BC5D-4	BC5D-6	Core Fixed	Ø50.8	Ø97
BC5SQ-4	BC5SQ-6	Flange Fixed	Ø50.8	Ø97



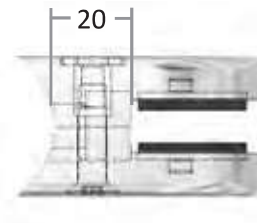
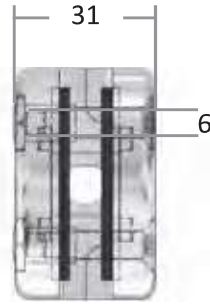
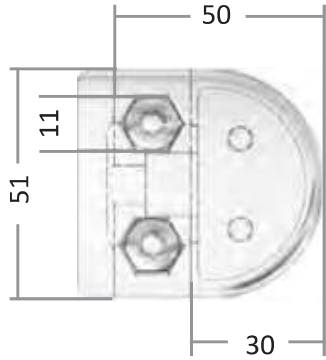
END CAPS



Part #		Description	Fit	Tube Diameter
304	316			
CAP12-4	CAP12-6	End Cap	Internal	Ø12.7
CAP15-4	CAP15-6	End Cap	Internal	Ø15.9
CAP19-4	CAP19-6	End Cap	Internal	Ø19.05
CAP 3-4	CAP 3-6	End Cap	Internal	Ø38.1
CAP5-4	CAP5-6	End Cap	Internal	Ø50.8



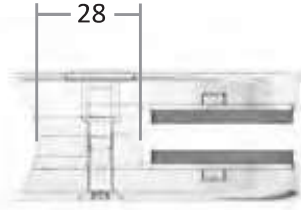
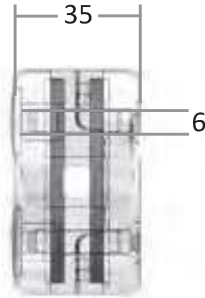
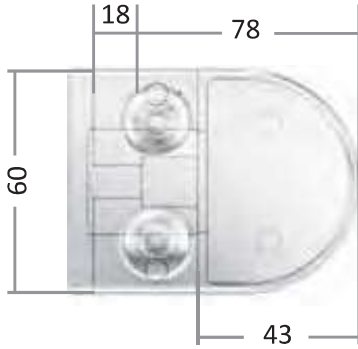
GLASS PRESSURE BRACKETS



Part #		Stanchion Dimension	Size	Glass Thickness
304	316			
GPBF-4	GPBF-6	Flat	52 x 55 x 31	6mm - 11.52mm
GPB3-4	GPB3-6	Stanchion Ø38.1	52 x 55 x 31	6mm - 11.52mm
GPB5-4	GPB5-6	Stanchion Ø50.8	52 x 55 x 31	6mm - 11.52mm



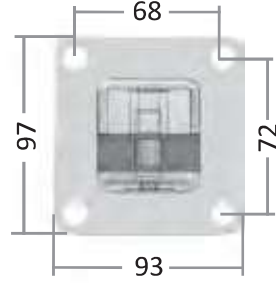
GLASS PRESSURE BRACKETS



Part #		Stanchion Dimension	Size	Glass Thickness
304	316			
GPBXF-4	GPBXF-6	Flat	60 x 78 x 34	8mm - 13.52mm
GPBX3-4	GPBX3-6	Stanchion Ø38.1	60 x 78 x 34	8mm - 13.52mm
GPBX5-4	GPBX5-6	Stanchion Ø50.8	60 x 78 x 34	8mm - 13.52mm



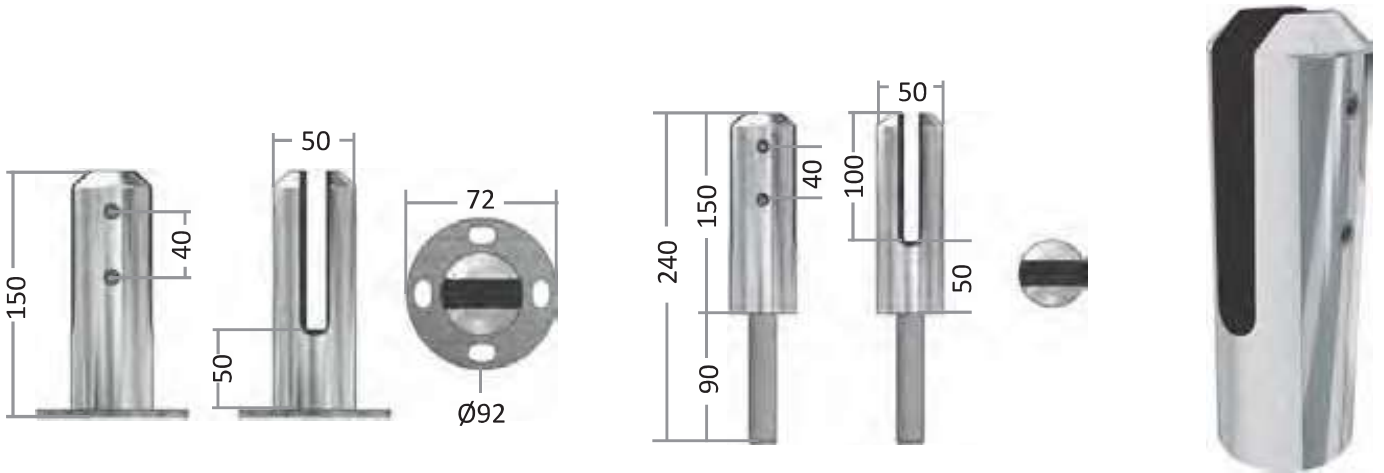
SPIGOT



Part #		Description	Mounting Type	Glass Thickness
304	316			
SPSQF-4	SPSQF-6	Square Spigot	Flange Fixed	12mm - 15mm



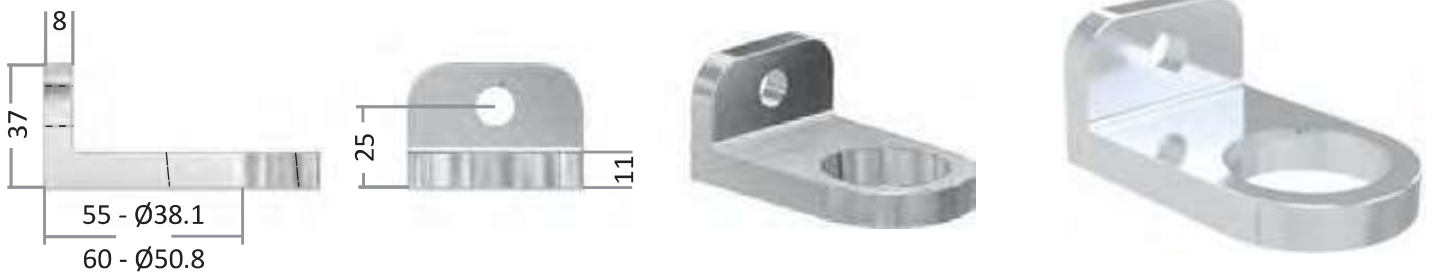
SPIGOT



Part #		Description	Mounting Type	Glass Thickness
304	316			
SPBC15-4	SPBC15-6	Bullet Spigot	Core Fixed	15mm
SPBC12-4	SPBC12-6	Bullet Spigot	Core Fixed	12mm
SPBF15-4	SPBF15-6	Bullet Spigot	Flange Fixed	15mm
SPBF12-4	SPBF12-6	Bullet Spigot	Flange Fixed	12mm



SIDE MOUNT STANCHION BRACKETS



Part #		Description	Mounting Type	Stanchion Diameter
304	316			
SALB3-4	SALB3-6	Side Mount Bracket	Side Fixed	Ø38.1
SALB5-4	SALB5-6	Side Mount Bracket	Side Fixed	Ø50.8



GLASS STAND OFF



Part #		Description	Mounting Type	Glass Thickness
304	316			
SLUG5-4	SLUG5-6	50mm Stand Off	Side Fixed	12mm - 17.52mm
SLUG6-4	SLUG6-6	60mm Stand Off	Side Fixed	12mm - 17.52mm
SLUG7-4	SLUG7-6	76mm Stand Off	Side Fixed	12mm - 17.52mm



CHANNEL MOUNT



CHANNEL BODY



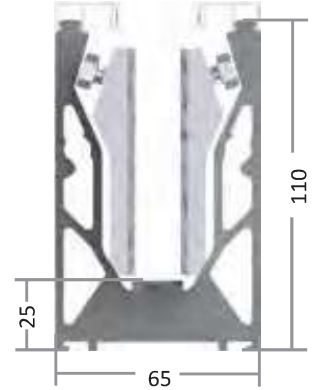
GLASS ISOLATOR



CUSTOM BEND SPANNER



GLASS STABILIZER



RUBBER CUSHIONING STRIP



ALIGNMENT PIN



DRAINAGE SPACER

Part #	Description	Dimensions
CM - B	Channel Body	65mm x 105mm
CM - GI	Glass Isolator	75mm x 75mm x 15mm
CM - CBS	Custom Bend Spanner	10mm
CM - GS	Glass Stabilizer	35mm x 35mm x 4mm
CM - RCS	Rubber Cushioning Strip	3mm x 100mm x 20mm
CM - AP90	Alignment Pin - 90°	8mm x 40mm
CM - AP180	Alignment Pin - 180°	8mm x 40mm
CM - DS	Drainage Spacer	65mm x 65mm x 6mm



HORIZONTAL SWIVEL STANCHIONS



Part #		Diameter	Description
304	316		
SS3PL-4A	SS3PL-6A	Ø38.1	Swivel Stanchion Pedestal Level
SS3PR-4A	SS3PR-6A	Ø38.1	Swivel Stanchion Pedestal Raked
SS3CL-4A	SS3CL-6A	Ø38.1	Swivel Stanchion Core Level
SS3CR-4A	SS3CR-6A	Ø38.1	Swivel Stanchion Core Raked
SS3SL-4A	SS3SL-6A	Ø38.1	Swivel Stanchion Side Mount Level
SS3SR-4A	SS3SR-6A	Ø38.1	Swivel Stanchion Side Mount Raked
SS5PL-4A	SS5PL-6A	Ø50.8	Swivel Stanchion Pedestal Level
SS5PR-4A	SS5PR-6A	Ø50.8	Swivel Stanchion Pedestal Raked
SS5CL-4A	SS5CL-6A	Ø50.8	Swivel Stanchion Core Level
SS5CR-4A	SS5CR-6A	Ø50.8	Swivel Stanchion Core Raked
SS5SL-4A	SS5SL-6A	Ø50.8	Swivel Stanchion Side Mount Level
SS5SR-4A	SS5SR-6A	Ø50.8	Swivel Stanchion Side Mount Raked





GLASS PRESSURE BRACKET STANCHIONS

Part #		Diameter	Description
304	316		
GS3PL-4HRA	GS3PL-6HRA	Ø38.1	Glass Stanchion Pedestal Level
GS3PL90°-4HRA	GS3PL90°-6HRA	Ø38.1	Glass Stanchion Pedestal Level 90°
GS3PLX°-4HRA	GS3PLX°-6HRA	Ø38.1	Glass Stanchion Pedestal Level End
GS3PR-4HRA	GS3PR-6HRA	Ø38.1	Glass Stanchion Pedestal Raked
GS3PRX°-4HRA	GS3PRX°-6HRA	Ø38.1	Glass Stanchion Pedestal Raked End
GS3CL-4HRA	GS3CL-6HRA	Ø38.1	Glass Stanchion Core Level
GS3CL90°-4HRA	GS3CL90°-6HRA	Ø38.1	Glass Stanchion Core Level 90°
GS3CLX°-4HRA	GS3CLX°-6HRA	Ø38.1	Glass Stanchion Core Raked
GS3CR-4HRA	GS3CR-6HRA	Ø38.1	Glass Stanchion Core End Raked
GS3CRX°-4HRA	GS3CRX°-6HRA	Ø38.1	Glass Stanchion Side Mount Level
GS3SL-4HRA	GS3SL-6HRA	Ø38.1	Glass Stanchion Side Mount Level for 90° Corner
GS3SL90°-4HRA	GS3SL90°-6HRA	Ø38.1	Glass Stanchion Side Mount Level End
GS3SLX°-4HRA	GS3SLX°-6HRA	Ø38.1	Glass Stanchion Level X° Side Mount End
GS3SR-4HRA	GS3SR-6HRA	Ø38.1	Glass Stanchion Side Mount Raked
GS3SRX°-4HRA	GS3SRX°-6HRA	Ø38.1	Glass Stanchion Side Mount Raked End



GLASS PRESSURE BRACKET STANCHIONS



Part #		Diameter	Description
304	316		
GS3PL-4A	GS3PL-6A	Ø38.1	Glass Stanchion Pedestal Level
GS3PL90°-4A	GS3PL90°-6A	Ø38.1	Glass Stanchion Pedestal Level 90°
GS3PLX°-4A	GS3PLX°-6A	Ø38.1	Glass Stanchion Pedestal Level End
GS3PR-4A	GS3PR-6A	Ø38.1	Glass Stanchion Pedestal Raked
GS3PRX°-4A	GS3PRX°-6A	Ø38.1	Glass Stanchion Pedestal Raked End
GS3CL-4A	GS3CL-6A	Ø38.1	Glass Stanchion Core Level
GS3CL90°-4A	GS3CL90°-6A	Ø38.1	Glass Stanchion Core Level 90°
GS3CLX°-4A	GS3CLX°-6A	Ø38.1	Glass Stanchion Core Raked
GS3CR-4A	GS3CR-6A	Ø38.1	Glass Stanchion Core End Raked
GS3CRX°-4A	GS3CRX°-6A	Ø38.1	Glass Stanchion Side Mount Level
GS3SL-4A	GS3SL-6A	Ø38.1	Glass Stanchion Side Mount Level for 90° Corner
GS3SL90°-4A	GS3SL90°-6A	Ø38.1	Glass Stanchion Side Mount Level End
GS3SLX°-4A	GS3SLX°-6A	Ø38.1	Glass Stanchion Level X° Side Mount End
GS3SR-4A	GS3SR-6A	Ø38.1	Glass Stanchion Side Mount Raked
GS3SRX°-4A	GS3SRX°-6A	Ø38.1	Glass Stanchion Side Mount Raked End



GLASS PRESSURE BRACKET STANCHIONS



Part #		Diameter	Description
304	316		
GS3PL-4A	GS3PL-6A	Ø50.8	Glass Stanchion Pedestal Level
GS3PL90°-4A	GS3PL90°-6A	Ø50.8	Glass Stanchion Pedestal Level 90°
GS3PLX°-4A	GS3PLX°-6A	Ø50.8	Glass Stanchion Pedestal Level End
GS3PR-4A	GS3PR-6A	Ø50.8	Glass Stanchion Pedestal Raked
GS3PRX°-4A	GS3PRX°-6A	Ø50.8	Glass Stanchion Pedestal Raked End
GS3CL-4A	GS3CL-6A	Ø50.8	Glass Stanchion Core Level
GS3CL90°-4A	GS3CL90°-6A	Ø50.8	Glass Stanchion Core Level 90°
GS3CLX°-4A	GS3CLX°-6A	Ø50.8	Glass Stanchion Core Raked
GS3CR-4A	GS3CR-6A	Ø50.8	Glass Stanchion Core End Raked
GS3CRX°-4A	GS3CRX°-6A	Ø50.8	Glass Stanchion Side Mount Level
GS3SL-4A	GS3SL-6A	Ø50.8	Glass Stanchion Side Mount Level for 90° Corner
GS3SL90°-4A	GS3SL90°-6A	Ø50.8	Glass Stanchion Side Mount Level End
GS3SLX°-4A	GS3SLX°-6A	Ø50.8	Glass Stanchion Level X° Side Mount End
GS3SR-4A	GS3SR-6A	Ø50.8	Glass Stanchion Side Mount Raked
GS3SRX°-4A	GS3SRX°-6A	Ø50.8	Glass Stanchion Side Mount Raked End



OVAL STANCHIONS



Part #		Diameter	Description
304	316		
GS05PL-4A	GS05PL-6A	51mm x 21mm	Glass Stanchion Oval Pedestal Level
GS05PLX°-4A	GS05PLX°-6A	51mm x 21mm	Glass Stanchion Oval Pedestal Level End
GS05PR-4A	GS05PR-6A	51mm x 21mm	Glass Stanchion Oval Pedestal Raked
GS05PRX°-4A	GS05PRX°-6A	51mm x 21mm	Glass Stanchion Oval Pedestal Raked End
GS05CL-4A	GS05CL-6A	51mm x 21mm	Glass Stanchion Oval Core Level
GS05CLX°-4A	GS05CLX°-6A	51mm x 21mm	Glass Stanchion Oval Core Level End
GS05CR-4A	GS05CR-6A	51mm x 21mm	Glass Stanchion Oval Core Raked
GS05CRX°-4A	GS05CRX°-6A	51mm x 21mm	Glass Stanchion Oval Core Raked End



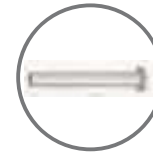
CABLE & CONNECTORS



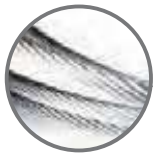
CABLE UNIVERSAL ADJUSTER



CABLE ANGLE WASHER



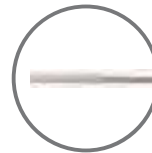
CABLE END STOPPER



CABLE



CABLE TENSIONER



CABLE ADJUSTER



CABLE CORNER

Part #	Dimension		Description
	Inner	Outer	
CUADJ4-6	4mm	7mm	Cable Universal Adjuster
CAW4-6	9mm	14mm	Cable Angle Washer
CES4-6	4mm	7mm	Cable End Stopper
C4-6	-	4mm	Cable
CITTEN4-6	6mm	8mm	Cable Tension
CADJ-6	6mm	7mm	Cable Adjuster
CC4-6	6mm	10mm	Cable Corner



CABLE STANCHIONS



Part #		Diameter	Description
304	316		
CS3PLX°-4A	CS3PLX°-6A	Ø38.1	Cable Stanchion Horizontal Level Pedestal - End
CS3PL-4A	CS3PL-6A	Ø38.1	Cable Stanchion Horizontal Level Pedestal - Centre
CS3PL90°-4A	CS3PL90°-6A	Ø38.1	Cable Stanchion Horizontal Level Pedestal - Corner
CS3PR-4A	CS3PR-6A	Ø38.1	Cable Stanchion Horizontal Raked Pedestal
CS3CLX°-4A	CS3CLX°-6A	Ø38.1	Cable Stanchion Horizontal Level Cored - End
CS3CL-4A	CS3CL-6A	Ø38.1	Cable Stanchion Horizontal Level Cored - Centre
CS3CL90°-4A	CS3CL90°-6A	Ø38.1	Cable Stanchion Horizontal Level Cored - Corner
CS3CR-4A	CS3CR-6A	Ø38.1	Cable Stanchion Horizontal Raked Cored
CS3SLX°-4A	CS3SLX°-6A	Ø38.1	Cable Stanchion Horizontal Level Side Mount - End
CS3SL-4A	CS3SL-6A	Ø38.1	Cable Stanchion Horizontal Level Side Mount - Centre
CS3SL90°-4A	CS3SL90°-6A	Ø38.1	Cable Stanchion Horizontal Level Side Mount - Corner
CS3SR-4A	CS3SR-6A	Ø38.1	Cable Stanchion Horizontal Raked Side Mount



CABLE STANCHIONS



Part #		Diameter	Description
304	316		
CS3PLX°-4A	CS3PLX°-6A	Ø50.8	Cable Stanchion Horizontal Level Pedestal - End
CS3PL-4A	CS3PL-6A	Ø50.8	Cable Stanchion Horizontal Level Pedestal - Centre
CS3PL90°-4A	CS3PL90°-6A	Ø50.8	Cable Stanchion Horizontal Level Pedestal - Corner
CS3PR-4A	CS3PR-6A	Ø50.8	Cable Stanchion Horizontal Raked Pedestal
CS3CLX°-4A	CS3CLX°-6A	Ø50.8	Cable Stanchion Horizontal Level Cored - End
CS3CL-4A	CS3CL-6A	Ø50.8	Cable Stanchion Horizontal Level Cored - Centre
CS3CL90°-4A	CS3CL90°-6A	Ø50.8	Cable Stanchion Horizontal Level Cored - Corner
CS3CR-4A	CS3CR-6A	Ø50.8	Cable Stanchion Horizontal Raked Cored
CS3SLX°-4A	CS3SLX°-6A	Ø50.8	Cable Stanchion Horizontal Level Side Mount - End
CS3SL-4A	CS3SL-6A	Ø50.8	Cable Stanchion Horizontal Level Side Mount - Centre
CS3SL90°-4A	CS3SL90°-6A	Ø50.8	Cable Stanchion Horizontal Level Side Mount - Corner
CS3SR-4A	CS3SR-6A	Ø50.8	Cable Stanchion Horizontal Raked Side Mount



SLOTTED HANDRAIL



SLOTTED HANDRAIL JOINER



SLOTTED HANDRAIL WALL FLANGE



SLOTTED HANDRAIL END CAP



SLOTTED HANDRAIL AND GASKET



90° GLASS HANDLE BEND VERTICAL



90° GLASS HANDLE BEND HORIZONTAL



ADJUSTABLE GLASS HANDLE BEND

Part #		Description	Dimension
304	316		
HSG4-4	HSG4-6	Slotted Handrail and Gasket	42.4mm
CAP 4-4	CAP 4-6	Slotted Handrail End Cap	42.4mm
HSGJ4H90-4	HSGJ4H90-6	90°Glass Handle Bend Horizontal	42.4mm
HSGJ4V+45-4	HSGJ4V+45-6	Adjustable Glass Handle Bend	42.4mm
HSGJ4V90-4	HSGJ4V90-6	90°Glass Handle Bend Vertical	42.4mm
P4-4	P4-6	Slotted Handrail Wall Flange	42.4mm



TUBING



Part #		Dimension	Weight	Shape	Description
304	316				
H5 6-4	H5 6-6	Ø50.8	1,730	Round	Tubing 50.8mm / 1.5m
H3 6-4	H3 6-6	Ø38.1	1,245	Round	Tubing 38.1mm / 1.5m
H31 6-4	H31 6-6	Ø31.8	1,070	Round	Tubing 31.8mm / 1.5m
H25 6-4	H25 6-6	Ø25.4	0,848	Round	Tubing 25,4mm / 1.5m
H20 6-4	H20 6-6	Ø19.05	0,628	Round	Tubing 19.05mm / 1.5m
FT15 6-4	FT15 6-6	Ø15.9	0,519	Round	Tubing 15.9mm / 1.5m
FT12 6-4	FT12 6-6	Ø12.7	0,398	Round	Filler Tube 12.7mm / 1.5m



Contact Details

International Toll Free No:
+27 (80) 111 1012

Email: info@stainlessdesign.co.za
www.stainlesssteelbalustrades.net



stainless design

Stainless Steel & Glass Balustrades

